

8 7 6 5 4 3 2 1

D

D

C

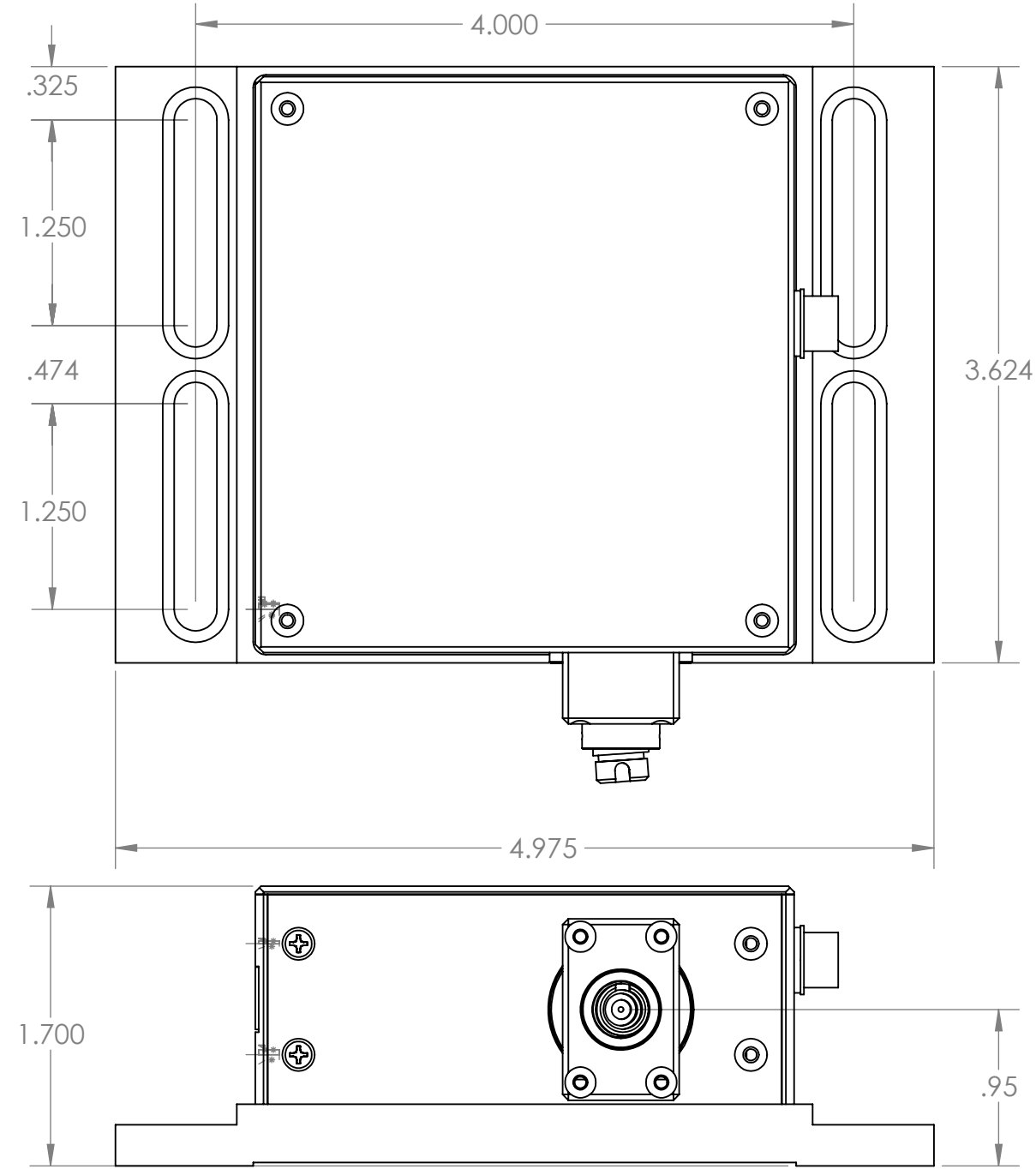
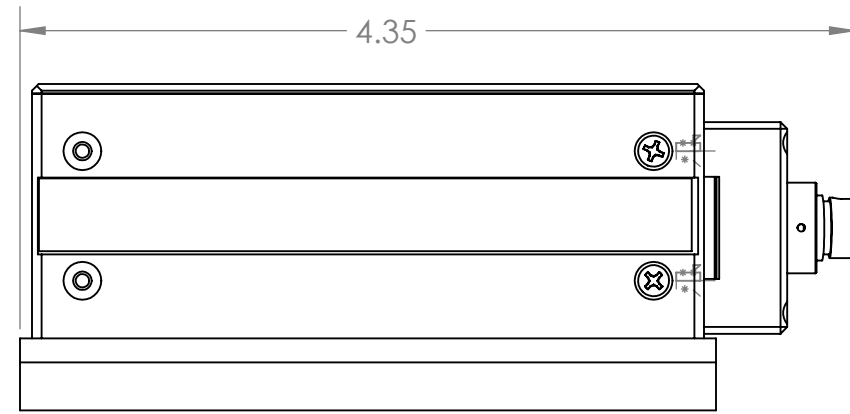
C

B

B

A

A



**PROPRIETARY AND CONFIDENTIAL**  
 THE INFORMATION CONTAINED IN THIS DRAWING IS THE SOLE PROPERTY OF Vescent Photonics. ANY REPRODUCTION IN PART OR AS A WHOLE WITHOUT THE WRITTEN PERMISSION OF Vescent Photonics IS PROHIBITED.

		UNLESS OTHERWISE SPECIFIED:		NAME	DATE	<b>Vescent Photonics</b> TITLE: <b>D2-210</b> Spectrscopy Module Envelope Drawing		
		DIMENSIONS ARE IN INCHES TOLERANCES: FRACTIONAL ± ANGULAR: MACH ± BEND ± TWO PLACE DECIMAL ± THREE PLACE DECIMAL ±		DRAWN				SIZE
		INTERPRET GEOMETRIC TOLERANCING PER:		CHECKED		<b>B</b>	<b>D2-210</b>	
		MATERIAL		ENG APPR.				SCALE: 1:1
NEXT ASSY	USED ON	FINISH		MFG APPR.				
APPLICATION		DO NOT SCALE DRAWING		Q.A.				
				COMMENTS:				

8 7 6 5 4 3 2 1