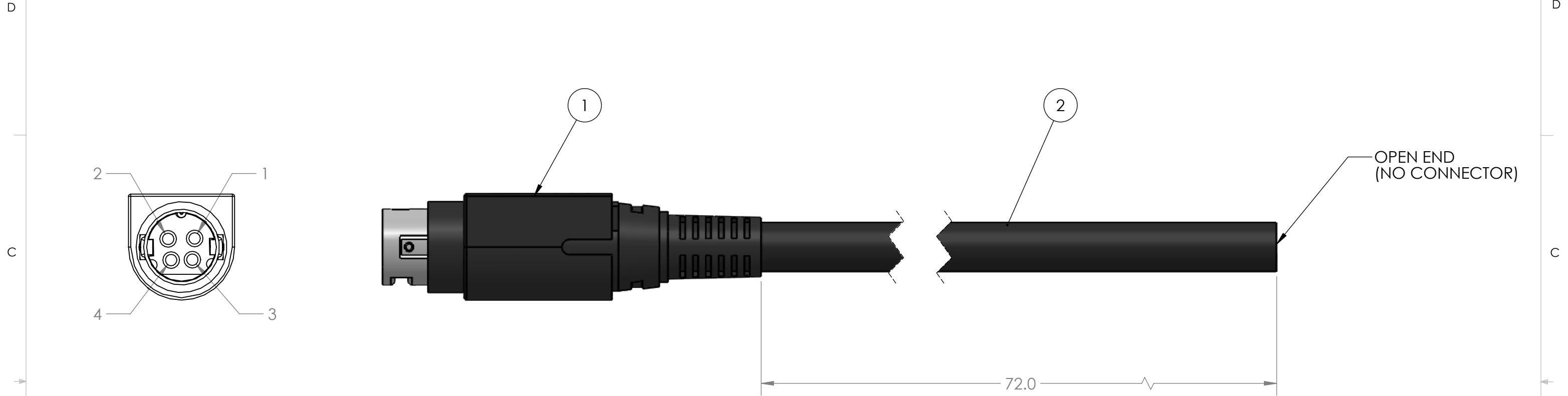


REVISIONS				
ZONE	REV.	DESCRIPTION	DATE	APPROVED
	1	Initial Release	11/2017	JP
	2	Added drain wire connection to wiring table	11/2018	JP

ITEM NO.	VESCENT PART #	DESCRIPTION	MANUFACTURER	MFG PART #	QTY.
1	10-00008	Connector, DIN, Male Plug, 4 POS	CUI Inc.	PDP-40	1
2	10-00007	Cable, Multi-Pair, 4 conductor, 18/22 AWG, 6'	Belden Inc.	1502R 010500	1



CONNECTOR PIN #	CABLE CONDUCTOR	SIGNAL
1	Red 18 AWG	TEC+
2	Black 18 AWG	TEC-
3	White 22 AWG	RTH+
4	Blue 22 AWG	RTH-
Metal Sleeve	Drain Wire 24 AWG	

CABLE MANUFACTURER NOTES

- 1) ALL PIN #S ARE DERIVED DIRECTLY FROM MANUFACTURER DATA-SHEETS AND ARE NOT BEING REDEFINED BY THE VISUAL MODELS IN THIS DRAWING
- 2) PLEASE REFER TO DATA-SHEET OF CONNECTOR PDP-40 FOR ASSEMBLY INSTRUCTIONS

NAME	DATE
Jason P.	11/6/2018
<small>PROPRIETARY AND CONFIDENTIAL THE INFORMATION CONTAINED IN THIS DRAWING IS THE SOLE PROPERTY OF VESCENT PHOTONICS INC. ANY REPRODUCTION IN PART OR AS A WHOLE WITHOUT THE WRITTEN PERMISSION OF VESCENT PHOTONICS INC. IS PROHIBITED.</small>	
DO NOT SCALE DRAWING	



PART DESCRIPTION:	
DIN Cable, SLICE-QT	
SIZE	PART NO.
B	50-00005-R02
SCALE: 2:1	WEIGHT:
SHEET 1 OF 1	