

4

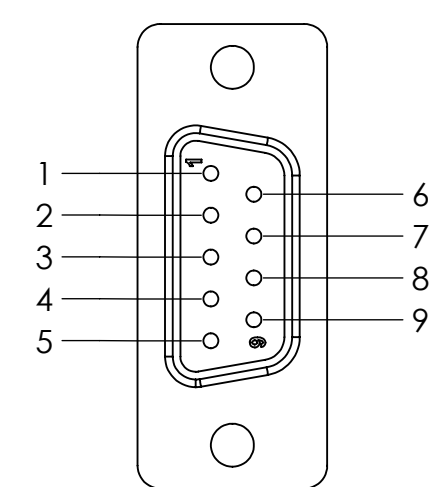
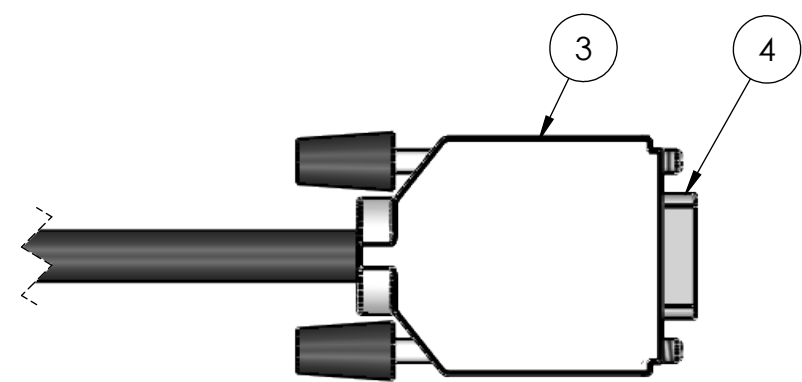
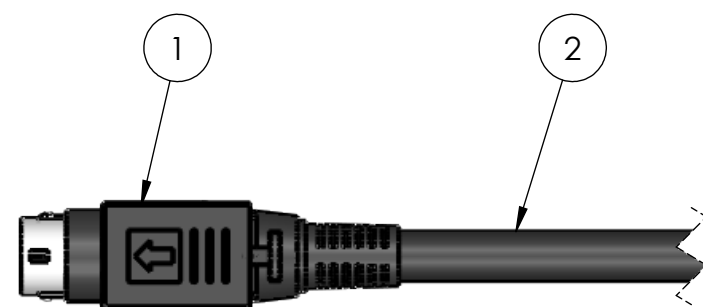
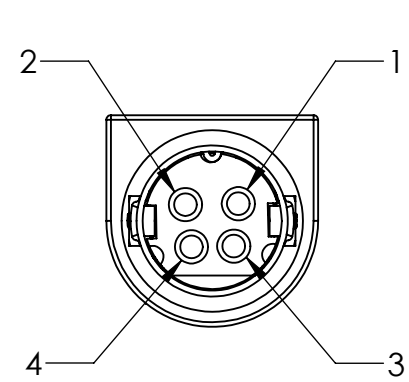
3

2

1

REVISIONS				
ZONE	REV.	DESCRIPTION	DATE	APPROVED
	1	Initial release	3/23/2021	JP

ITEM NO.	VESCENT PART #	DESCRIPTION	MANUFACTURER	MFG PART NO.	QTY.
1	10-00008	Connector, DIN, Male, Plug, 4 POS	CUI Inc.	PDP-40	1
2	10-00007	Cable, Multi-Pair, 4 conductor, 18/20 AWG, 6'	Belden Inc.	1502R 010500	1
3	10-00017	DB9 DSUB Backshell	Amphenol ICC	8655MH0901BLF	1
4	10-00018	Solder Cup D-SUB Connector, DB9 Female	L-com	SD9S	1



PIN #	CABLE CONDUCTOR	SIGNAL
1	Red 18 AWG	TEC+
2	Black 18 AWG	TEC-
3	White 22 AWG	RTH+
4	Blue 22 AWG	RTH-
Metal Sleeve	Drain Wire 24 AWG	SHIELD

PIN #	CABLE CONDUCTOR	SIGNAL
1	Red 18 AWG	TEC+
2	Red 18 AWG	TEC+
3	Black 18 AWG	TEC-
4	Black 18 AWG	TEC-
5	No Connect	
6	No Connect	
7	White 22 AWG	RTH+
8	Blue 22 AWG	RTH-
9	No Connect	
DSUB Shell	Drain Wire 24 AWG	Shield

NOTES

- ALL PIN #S ARE DERIVED DIRECTLY FROM MANUFACTURER DATA-SHEETS AND ARE NOT BEING REDEFINED BY THE VISUALS IN THIS DRAWING
- DRAIN WIRE MUST MAKE ELECTRICAL CONNECTION TO SHIELD ON EACH CONNECTOR - REFER TO CONNECTOR'S DATA -SHEET ASSEMBLY INSTRUCTIONS

DESIGNED	J Pinon	3/23/2021
CHECKED		
APPROVED		



PROPRIETARY AND CONFIDENTIAL
 THE INFORMATION CONTAINED IN THIS DRAWING IS THE SOLE PROPERTY OF VESCENT PHOTONICS, INC. ANY REPRODUCTION IN PART OR AS A WHOLE WITHOUT THE WRITTEN PERMISSION OF VESCENT PHOTONICS, INC. IS PROHIBITED.

DIN to DB9 Wire Harness

	FORMAT B	SCALE 1:1	UNITS IN	PART NO. 50-00057-R01	REVISION	PAGE 1 / 1
--	--------------------	---------------------	--------------------	---------------------------------	----------	----------------------

4

3

2

1